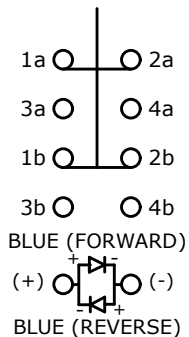


SWITCH FUNCTION	
POS. 1	POS. 2
1a-2a 1b-2b	(3a-4a) (3b-4b)

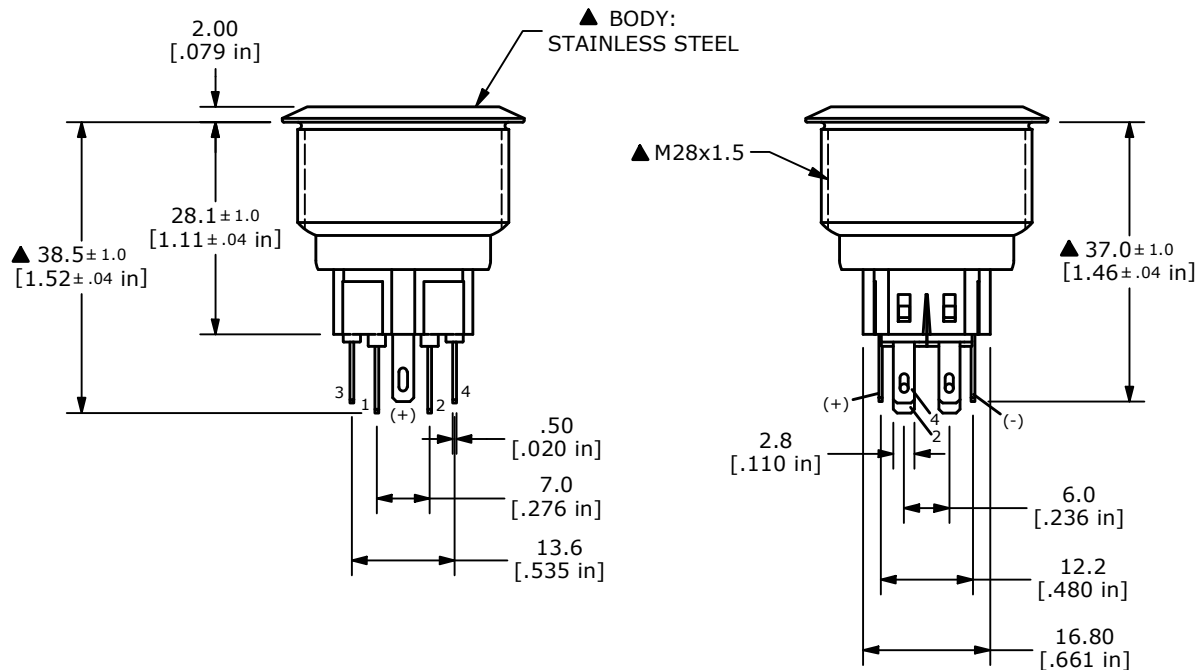
() = MOMENTARY



▲ DPDT ON-(OFF) / OFF-(ON)
CONTACT CONFIGURATION

NOTE:

1. ALL DIMENSIONS IN MM [INCH]
2. GENERAL TOLERANCE: X.X ± 0.4
X.XX ± 0.25
3. TERMINAL NUMBERS FOR REF. ONLY
4. RATING: 2A @ 48VDC
5. CONTACT RESISTANCE: 50mΩ MAX. @ 1A 12VDC
6. INSULATION RESISTANCE: 1,000MΩ @ 500VDC
7. DIELECTRIC STRENGTH: 2,000VAC MIN. FOR 1 MINUTE
8. ELECTRICAL LIFE: 50,000 CYCLES
9. OPERATING TEMPERATURE: -20°C to 55°C
10. INGRESS PROTECTION: IP66
11. ▲ DENOTES CRITICAL PARAMETER
12. SUPPLIED HARDWARE: O-RING and HEXNUT
13. ILLUMINATION COLOR: BLUE
14. ILLUMINATION VOLTAGE: BASE VOLTAGE 2.8V



C	24637	UPDATE THREAD LENGTH TO 15.0	12/10/20	JM
B	23839	UPDATED RATING TO IP66	4/8/19	MJR
A	23123	NEW RELEASE	12/5/17	MW
REV	PCR NO	DESCRIPTION	DATE	BY



TITLE PV9F2V0SS-241				
SCALE 1:1	DATE 12/5/2017	DR MW	DWG 52-PV9F2V0SS241	REV C

THE INFORMATION CONTAINED IN THIS DOCUMENT IS PROPRIETARY TO E-SWITCH AND IS NOT TO BE COPIED OR TRANSFERRED